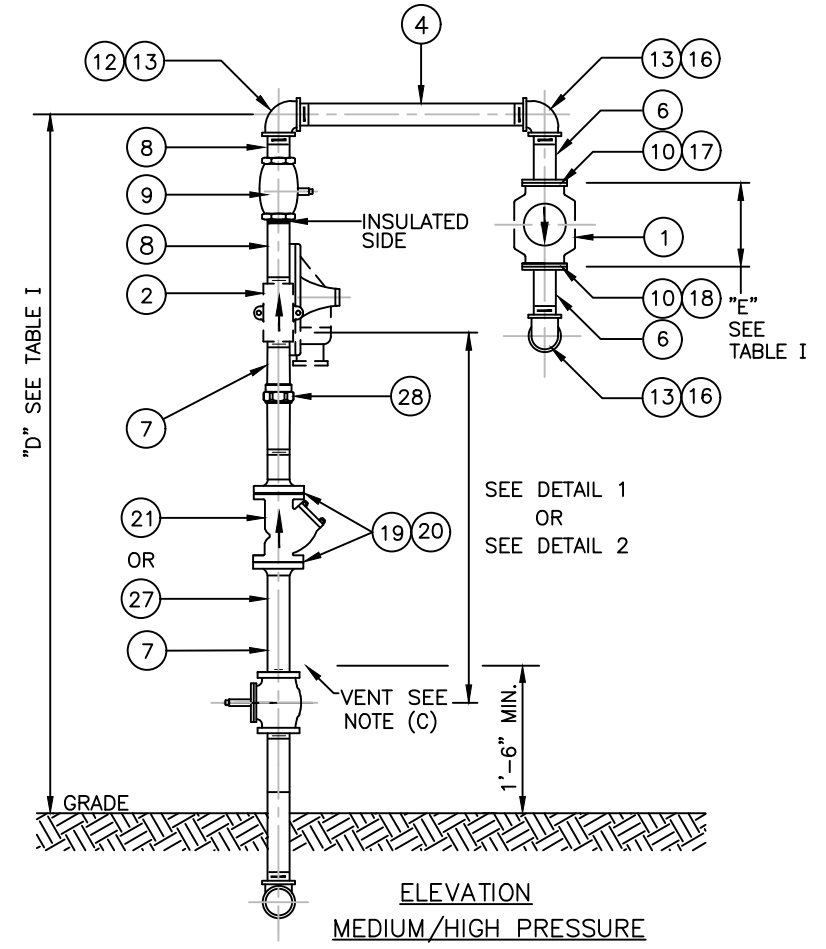
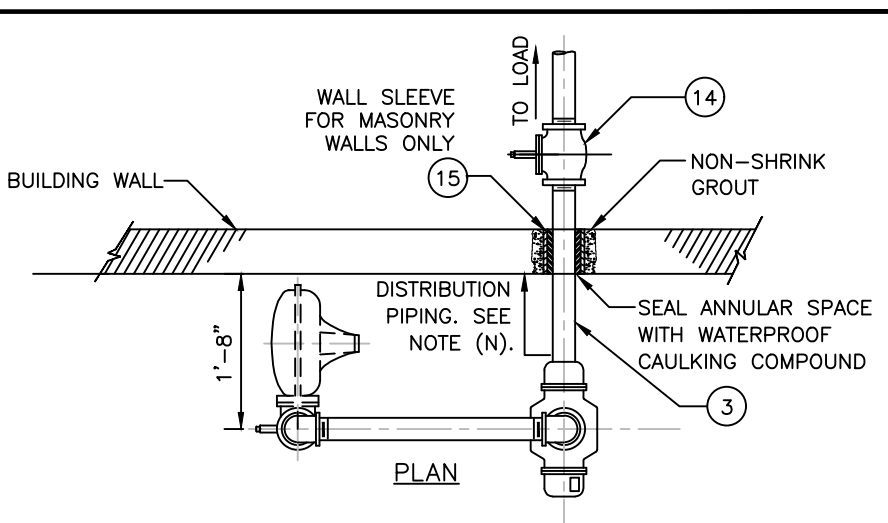
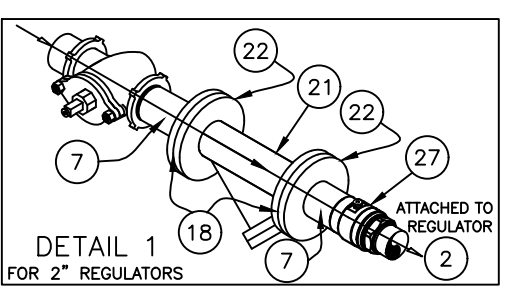
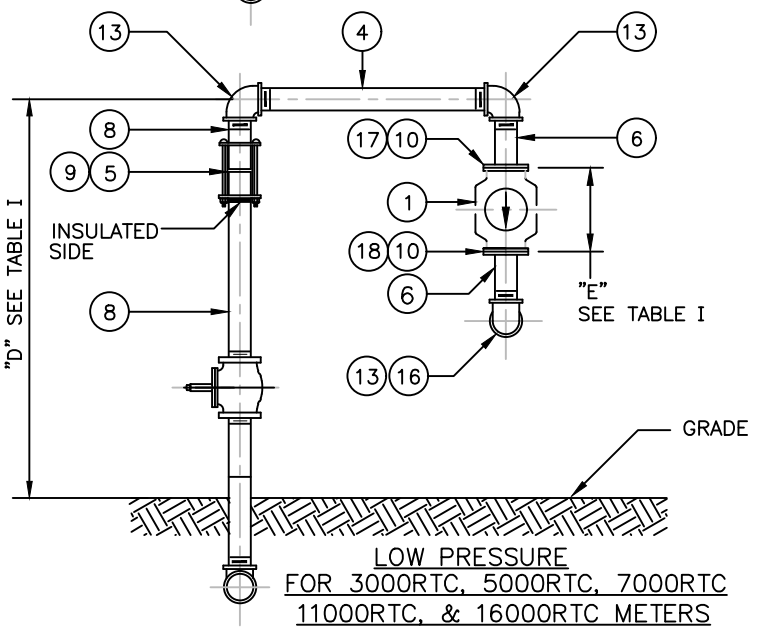
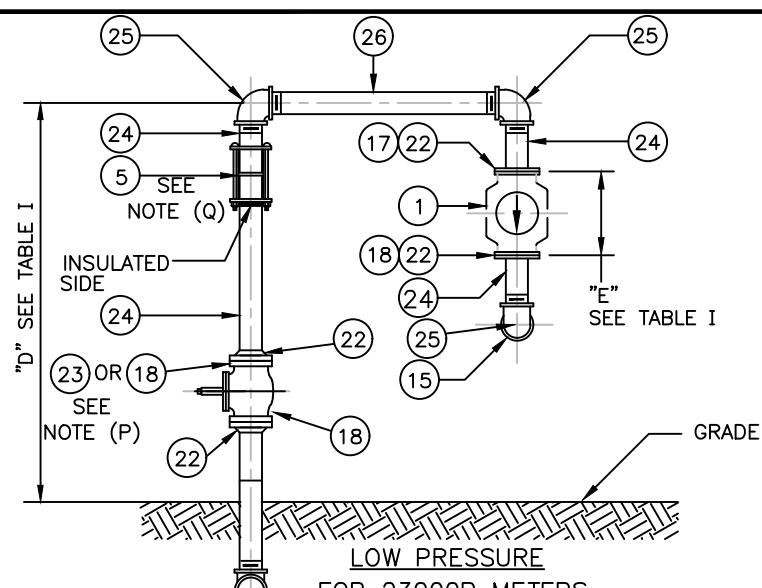


8-11991-03

REVISIONS

MARK BALDWIN 6/14/98	5	REDRAWN TO AUTOCAD CHG'D. TITLE, PRESSURE WEIGHT, TABLE IT ADDED NOTE h & i C.W. 6/21/99
D.MILES 5/19/06	6	UPDATED DWG. REVISED NOTES, SIZES ON TABLE I TO 3'-10" & F.G.H. RAJ. 4/27/06
K. LOOK 11/21/06	7	REVISED TABLE I FOR CLARITY ADDED 23M INFO REVISED TITLE
C.P. 11/21/06	8	REPLACED 23000RTC WITH 23000R FOR LOW PRESSURE INSTALLATIONS
D.R.J. 8/24/09	9	ADDED ITEMS 17 & 18 AND NOTE L REVISED NOTE K.
G. LUDWIG 3/1/12	10	DELETED DETAIL 'A'. ADDED REFERENCE TO DWG 502163 IN PLAN. CORRECTED DIMS. OF ITEM 4 IN BILL OF MAT'L'S. ADDED NOTE M. ADDED REFERENCE TO YELLOW BOOK.
D.J. 6/27/14	11	ADDED DETAIL FOR 23000R METER. REVISED BILL OF MATERIAL. REVISED NOTE F; ADDED NOTES N, O, P, AND Q. REVISED DIM "D". DELETED ITEM 11 AND NOTE "E". ADDED START DATE FOR "Y" STRAINER INSTALLATION.
G. LUDWIG 5/30/17	12	REVISED ITEM #19
D.J. 5/30/17	13	REVISED TABLE I, REMOVED COLUMN C; ADJUSTED TABLE; REVISED NOTE M; REMOVED BUMPERS
G. LUDWIG 3/14/18	14	ADDED DETAIL 1 & DETAIL 2. ADDED ITEMS 27 & 28.
D.O. 7/21/2020	15	REVERTED BACK TO REVISION NO. 13.
G. LUDWIG 4/13/2021	16	ADDED DETAIL 1 & DETAIL 2. ADDED ITEMS 27, 28 & NOTES R AND S.
D.O. 08/17/2021	17	DELETED ITEM 27 ITEM 28 BECAME ITEM 27 ADDED SIZES FOR ITEM 12 ITEM 16 DELETED 4"x3" DELETED DETAIL 2
G. LUDWIG 06/29/2022	18	
R.R. 06/29/2022		



BILL OF MATERIAL

ITEM NO.	DESCRIPTION	DWG. OR SPEC NO.	LOW PRESSURE INSTALLATION SIZE				HIGH PRESSURE INSTALLATION SIZE		
			3000RTC	5000RTC 7000RTC	11000RTC 16000RTC	23000R	3000RTC	5000RTC 7000RTC	11000RTC 16000RTC 23000RTC
1	METER CLASS (ALL TC)	PROC. G-48	3000RTC	5000RTC 7000RTC	11000RTC 16000RTC	23000R	3000RTC	5000RTC 7000RTC	11000RTC 16000RTC 23000RTC
2	GAS SERVICE REGULATOR						2"x2 1/2"	2"x2 1/2"	2"x2 1/2"
3	PIPE, STEEL, SCH. 40 (THRD)		2"	3"	4"		2"	3"	4"
4	PIPE, STEEL, SCH. 40 (THRD)		2"x20"	3"x20"	4"x20"		2"x20"	3"x20"	4"x20"
5	COMP. COUPLING INSULATED, BOLTED	*				6"			
6	NIPPLE, STEEL, SCH. 40		2"x2 1/2"	3"x3"	4"x4"		2"x2 1/2"	3"x3"	4"x4"
7	NIPPLE, STEEL, SCH. 40						2"x5"	2"x5"	2"x5"
8	PIPE, STL, SCH.40(THRD ONE END)		2"	3"	4"		2"	3"	4"
9	COMP. CPLG INS. W/ 1/8" PLUG	*	2"				2"	2"	2"
10	FLANGE, FORGED STL. FLAT FACE, THRD 150#.	ASME B16.5	2"	3"	4"		2"	3"	4"
11	(BLANK)								
12	ELBOW, 90° REDUCING, MALLEABLE IRON 150#.	ASME B16.3					2"x2"	3"x2"	4"x2"
13	ELBOW, 90° MALL. IRON 150#.	ASME B16.3	2"	3"	4"		2"	3"	4"
14	LUBRICATED PLUG CONVENIENCE VALVE INST. WHERE APPROPRIATE	*	2"	3"	4"	6"	2"	3"	4"
15	WALL SLEEVE, SCH. 40 P.V.C. OR STEEL PIPE		4"	6"	6"	8"	4"	6"	6"
16	ELBOW, 90° REDUCING, MALLEABLE IRON 150 #	ASME B16.3							
17	1/16" 150 # FULL FACE GASKET STRAINER (SEE NOTE L)	G-8220	2"	3"	4"	6"	2"	3"	4"
18	1/16" 150 # FULL FACE GASKET (SEE NOTE L)		2"	3"	4"	6"	2"	3"	4"
19	FLANGE, FORGED STEEL, RAISED FACE, THRD, 150 #	ASME B16.5					2"	2"	2"
20	GASKET, RING, 150 #						2"	2"	2"
21	"Y" STRAINER, FLANGED, RAISED FACE, THRD, 150 #						2"	2"	2"
22	FLANGE, FORGED STEEL, FLAT FACE, WELD NECK, 150 #	ASME B16.5				6"			
23	FLANGE INSULATING KIT (SIZE TO MATCH VALVE FLANGE)	*				6"			
24	PIPE, STEEL, SCH 40, WELDED, LTH TO SUIT	G-8107				6"			
25	ELBOW, 90 DEG, STEEL, SCH 40, WELDED, 150 #	ASME B16.9				6"			
26	PIPE, STEEL, SCH 40, WELDED, 20" LG.	G-8107				6"			
27	2 INCH F X M NPT TA-VALVE (CLASS & STOCK # 3771917)						2"	2"	2"

* SEE YELLOW BOOK NOTE: "Y" STRAINER REQUIRED AFTER JULY 1, 2015.

TABLE I

METER CLASS	METER TYPE (TC OR TCID)	METER WEIGHT (LBS)	DIM. "D"	DIM. "E"
3000RTC	3M175TC/RM3000TC	28	42" TO 70"	6.75"
5000RTC	5M175TC/RM5000TC	36		6.75"
7000RTC	7M175TC/RM7000TC	50		9.5"
11000RTC	11M175TC/RM11000TC	65		9.5"
16000RTC	16M175TC/RM16000TC	86		9.5"
23000RTC	RM23000TC (HIGH PRESSURE ONLY)	84		9.5"
23000R	23M175 (LOW PRESSURE ONLY)	205		16"

- NOTES:
- A - ALL PIPING SHALL BE INSTALLED PLUMB AND LEVEL.
 - B - ALL MATERIAL SHALL BE FURNISHED AND INSTALLED BY THE CUSTOMER EXCEPT FOR THE SERVICE REGULATOR WHICH SHALL BE FURNISHED BY THE COMPANY FOR INSTALLATION BY THE CUSTOMER AND THE METER AND GASKETS WHICH ARE FURNISHED AND INSTALLED BY THE COMPANY.
 - C - FOR VENT REQUIREMENTS REFER TO E0-17118
 - D - DO NOT INCLUDE THE REGULATOR IN ANY PIPING PRESSURE TEST.
 - E - (BLANK)
 - F - EXCEPT FOR WHERE A COMPRESSION COUPLING IS CALLED FOR ON THE DRAWING, ALL METER PIPING (PIPING FROM THE HEAD OF SERVICE VALVE TO METER OUTLET) GREATER THAN 4 INCHES IN DIAMETER SHALL BE BUTT WELDED. ELEVATED DELIVERY PRESSURE METER PIPING SHALL BE RADIOGRAPHED.
 - G - PIPING MUST BE LEFT BLANK BY CONTRACTOR PRIOR TO METER INSTALLATION.
 - H - INSTALLATIONS WITH VOLUME CORRECTOR MUST HAVE 24 INCHES MINIMUM CLEARANCE ON TOP OF METER PIPING.
 - I - FOR DOWNSTREAM PIPING BELOW GRADE REFER TO SPEC. G-8205
 - J - ALL PIPING AND FITTINGS SHALL BE PAINTED WITH PAINT SUITABLE FOR USE ON METAL SURFACES OUTDOORS.
 - K - INSTALL PIPE SUPPORTS AS NEEDED. REFER TO SPEC. G-695.
 - L - GASKET MATERIAL SHALL BE GARLOCK 3000 (1/16" THICK). GASKET STRAINER TO CONTAIN A 60 MESH STAINLESS STEEL SCREEN.
 - M - IF THERE IS ANY RISK OF VEHICLE DAMAGE. METER/REGULATOR BUMPERS SHALL BE INSTALLED IN ACCORDANCE WITH G-704
 - N - DISTRIBUTION PIPING EXCLUDING METER PIPING MUST MEET ALL WELDING SPECIAL INSPECTION, AND RADIOGRAPHY REQUIREMENTS OF NYC BUILDING CODE OR OTHER AUTHORITY HAVING JURISDICTION.
 - O - FOR CON EDISON LOW PRESSURE SYSTEMS, AN INSULATED COMPRESSION COUPLING OR FLANGE INSULATING KIT AS APPROPRIATE SHALL BE INSTALLED IMMEDIATELY DOWNSTREAM OF THE HEAD OF SERVICE VALVE. FOR CON EDISON MEDIUM AND HIGH PRESSURE SYSTEMS, AN INSULATED COMPRESSION COUPLING OR FLANGE INSULATING KIT SHALL BE INSTALLED IMMEDIATELY DOWNSTREAM OF THE REGULATOR.
 - P - FOR INSTALLATIONS HAVING BRANCH LINES THAT ARE SEPARATELY METERED AND/OR SEPARATELY REGULATED, REFER TO SPEC G-703 FOR PIPE SIZING REQUIREMENTS.
 - Q - INSTALL EITHER ITEM 5 OR ITEM 23.
 - R - INSTALL TA VALVE SUCH THAT FLOW ARROW ON THE DEVICE POINTS TO THE DIRECTION OF GAS FLOW.
 - S - HEAT SENSOR ON 2" MODEL SHOULD BE FREE OF ANY FORM OF COATING.

INSTALLATION OF METER PIPING FOR
CLASS 3000R-TC TO CLASS 23000R-TC
ROTARY METERS - OUTDOORS

CONSOLIDATED EDISON COMPANY OF N.Y., INC.
GAS ENGINEERING DEPT.

DATE	10/23/1981	DWG. NO.	E0-16511-B	REV.	17
LAST REV.	06/29/2022				