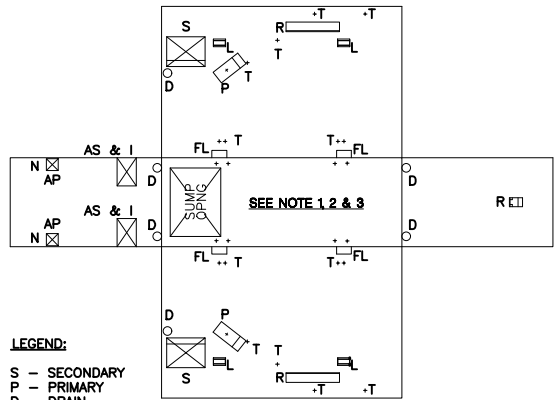
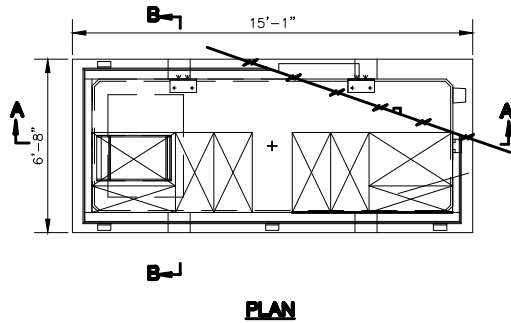


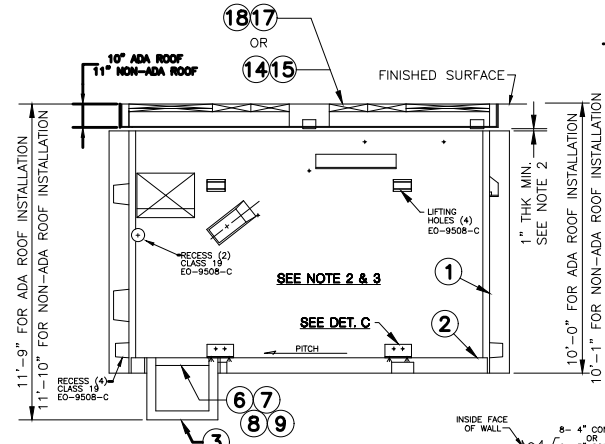
**REVISIONS**

R.RAEBIGER 10/23/02	10
CHG'D. VAULT DIMENSIONS WALL & HEIGHT RELEASE FOR RECORD PN 69970-ES-YD-11 MM 10/23/02	
R.RAEBIGER 10/13/05	11
REMOVED SAFETY GUARD AND LADDER-ITEMS 10 THRU 13 RELEASE FOR CONSTRUCTION MM 10/13/05	
J. LIU 6-7-11	12
ADDED LEGEND FOR ALTERNATE SECONDARY.	
A. VASILE 6-7-11	
S. YUAN 3/29/2018	13
DELETED ITEM 17, REPLACED NOTE 6, CHANGED ITEMS 4 & 5 TO REPLACEMENT ONLY. CHANGED DIMENSIONS ON SECTION A-A. UPDATED STOCK # FOR ITEM 16	
K.T. 3/29/2018	
R. VENTURA 2/28/2020	14
REMOVED ITEM NO. 4 AND 5. ADDED ITEM NO 17 AND 18 FOR ADA ROOF INSTALLATION. CHANGED STOCK NO. OF ITEM 1, 2, AND 14 TO NON-STOCK NO. REMOVED EO-100025 ON NOTE 4.	
REMOVED NOTE 6 FOR ITEM 4 AND 5, UPDATED NOTE NUMBERS. ADDED NOTE - NOT TO BE INSTALLED IN HIGH GROUND WATER TABLE OR FLOOD ZONE AREAS. FOR THESE SITE CONDITIONS, USE V13-6 WITH INTEGRAL FLOOR AS PER DRAWINGS 311837 & 311838. CHANGED DIMENSIONS FOR VAULT INSTALLATION WITH ADA AND NON-ADA ROOF.	
N.B. 2/28/2020	



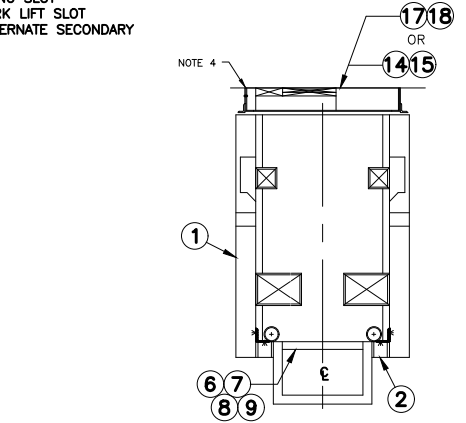
**LEGEND:**  
 S - SECONDARY  
 P - PRIMARY  
 D - DRAIN  
 R - MOUNTING RECESS FOR SUSPENDED TRANSFORMER  
 N - NEUTRAL  
 I - INTERVAULTS  
 AP - ALTERNATE PRIMARY  
 T - INSERT  
 L - LIFTING SLOT  
 FL - FORK LIFT SLOT  
 AS - ALTERNATE SECONDARY

**EXPLODED VIEW**

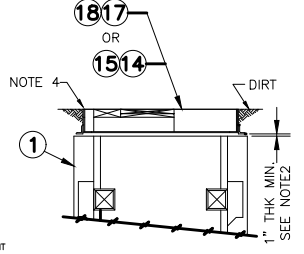


**SECTION A-A  
 INSTALLATION OF ROOF ADJACENT  
 TO CONCRETE AREA**  
 APPROXIMATE WEIGHT IN LBS  
 PRECAST CONCRETE WALL ( 4400# )  
 PRECAST CONCRETE FLOOR ( 4700# )

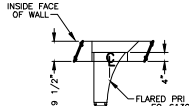
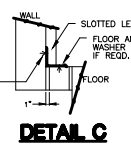
**TYP. SECONDARY CONDUIT INSTALLATION**  
 (NOTES 2, 3 & 7)



**SECTION B-B  
 INSTALLATION OF ROOF ADJACENT  
 TO CONCRETE AREA**



**PARTIAL SECTION B-B  
 INSTALLATION OF ROOF  
 ADJACENT TO DIRT AREA**  
 (NOTES 2, 3 & 7)



**TYP. PRIMARY CONDUIT  
 INSTALLATION**  
 (NOTES 2, 3 & 7)

**NOTES:**

1. PRIMARY AND SECONDARY CONDUITS, INSERTS, NEUTRAL AND DRAIN OPENINGS SHALL BE DETERMINED PRIOR TO CONSTRUCTION. MAXIMUM NUMBER OF OPENINGS AND INSERTS ARE SHOWN IN EXPLODED VIEW. SELECT ONLY THOSE REQUIRED FOR SPECIFIC LAYOUT.
2. SPACE BETWEEN FRAME OR ASSEMBLY AND WALLS AND CONDUITS AND WALLS, TO BE FILLED WITH CEMENTITIOUS NON-SHRINK GROUT, SIKAGROUT 212, OR APPROVED EQUAL.
3. AFTER INSTALLATION, ALL OCCUPIED CONDUITS SHALL BE SEALED IN ACCORDANCE WITH SPEC. EO-1100.
4. AFTER INSTALLATION, SPACE BETWEEN FRAME AND SLAB SHALL BE FILLED WITH A SUITABLE MASTIC COMPOUND.
5. ENTIRE VAULT SHALL BE WATERTIGHT.
6. PITCH FLOOR TOWARD SUMP.
7. INSTALLED CONDUITS TO BE CENTRALLY POSITIONED, WITH ENDS FLUSH WITH INSIDE FACE OF WALL.
8. AFTER INSTALLATION, FILL ALL UNUSED OPENINGS AND LIFTING HOLES WITH CEMENT MORTAR TO WHICH INTERPLAST-N-EXPANDING ADMIXTURE, OR APPROVED EQUAL, HAS BEEN ADDED.
9. IN ROCK EXCAVATION, INSTALL MANHOLE ON 3" CUSHION OF SAND.
10. USE SPREADER FOR LIFTING.

ITEMS ON THIS DRAWING ARE NOT COMPATIBLE WITH ITEMS FROM PREVIOUS REVISIONS.  
 NOT TO BE INSTALLED IN HIGH GROUNDWATER TABLE OR FLOOD ZONE AREAS. FOR THESE SITE CONDITIONS, USE V13-6 WITH INTEGRAL FLOOR AS PER DRAWINGS 311837 & 311838.

ITEM	QTY	DESCRIPTION	DWG NO.	STK NO.
18	1	ADA ROOF SLAB GRATING FRAME	509463	
17	1	ADA ROOF SLAB AND GRATING ASSEMBLY WITH FRAME, TYPE V13-6	UNFINISHED 380373	NS0247870 NS0247869
16	1	CEMENT MORTAR	EO-100167	000-0802
15	1	ROOF SLAB AND GRATING FRAME, TYPE V-13-6 DW	EO-12982-B	
14	1	ROOF SLAB AND GRATING ASSEMBLY TYPE V-13-6 DW	UNFINISHED 12981-A	NS0110214
9	1	SUMP GRATING PANEL	ITEM 5	EO-12086-C 003-6095
8	1	SUMP GRATING FRAME	ITEM 2	EO-12086-C 003-6061
7	1	SUMP PLATE	ITEM 3	EO-12086-C 003-6079
6	1	SUMP PLATE FRAME	ITEM 1	EO-12086-C 003-6053
3	1	PRECAST CONCRETE SUMP	EO-10988-D	002-4810
2	1	PRECAST CONCRETE FLOOR	EO-12917-B	NS0111542
1	1	PRECAST CONCRETE WALLS	EO-12917-B	NS0111545

**BILL OF MATERIAL**

**REFERENCE DWGS.**

SUMP PUMP INSTALLATION	EO-12160-C
DRAINAGE INSTALLATION- SUMP PUMP	EO-17079-B
TYPICAL CONNECTION TO PUBLIC SEWERS	EO-13027-B
V 13-6 INSTL. GUIDE (BV 7-8)	EO-13124-B & EO-13124-B
V 13-6 INSTL. GUIDE (BV 13-2)	EO-14014-B
V 13-6 INSTL. GUIDE (BV 13-8)	EO-14094-B
V 13-6 INSTL. GUIDE (BV 9)	313393

**PURPOSE:**

TO BE USED FOR INSTALLATION OF 1000 KVA EQUIPMENT IN SIDEWALK AREA FOR MULTIPLE BANK INSTALLATIONS AND STREET FEED.

**TRANSFORMER VAULT TYPE V 13-6  
 13'-6" x 5'-0" x 8'-6"**

CONSOLIDATED EDISON COMPANY OF N.Y., INC.  
 DISTRIBUTION ENGINEERING DEPT

DATE	1/2/08	DWG. NO.	EO-12912-B	REV.	14
LAST REV.	2/28/2020				

DRAWN BY	DATE	CHECKED BY	DATE
DISCIPLINE CODE	TS	SCALE	3/8" & 1/4" = 1'-0"
APPROVED			
		DATE	
		DATE	